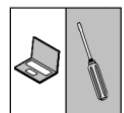


Data sheet

EU05

Transmitter PC Interface

09005820 DB_EN_EU05 ST4-A 11/15



1 Product and functional description

1.1 Delivery scope

- Transmitter PC Interface EU05
- Programming cable
- USB cable
- Plug power supply unit
- CD ROM with PC software
 - FernPara
 - TransPara
 - Transmitter Programmer
- Operating Instructions

1.2 Product overview

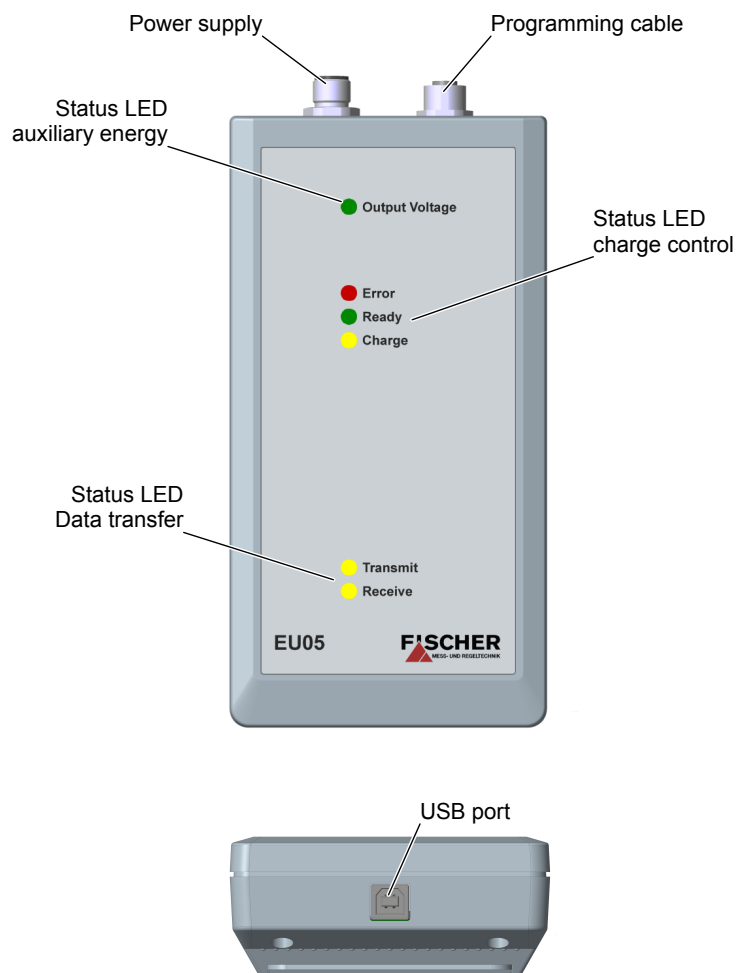


Illustration 1: Product overview

1.3 Use as intended

The EU05 unit is a Transmitter PC Interface that allows communication between various devices (transmitters) of the company FISCHER Mess- und Regeltechnik GmbH and a conventional PC. It is designed for use in industrial environments.

The following units from the company FISCHER Mess- und Regeltechnik GmbH can be connected to the EU05. The list is sorted according to unit type and required PC software.

Units with LED displays and FernPara software

DE31	Digital differential pressure transmitter / switch
DE38	Digital differential pressure transmitter / switch
DE39	Digital differential pressure transmitter
DE44	Digital two-channel differential pressure switch / transmitter
DE45	Digital differential pressure switch / transmitter
DE46	Digital differential pressure switch / transmitter
EA14D	Differential pressure analysis unit
EA14M	Pressure analysis unit
EA14F	Filling level analysis unit

Units with LC displays and TransPara software

DE24	Digital differential pressure switch / transmitter for panel installation
DE39	Digital differential pressure transmitter
DE44	Digital two-channel differential pressure switch / transmitter
DE45	Digital differential pressure switch / transmitter
DE46	Digital differential pressure switch / transmitter
EA14A	Measuring value display for panel installation
EA14D	Differential pressure analysis unit
EA14M	Pressure analysis unit
EA14F	Filling level analysis unit
FT61	Moisture and temperature transmitter

1.4 Disposal of battery



NOTICE! Take-back of old units with batteries

According to the German BattG (Battery Act) batteries may not be disposed of in household waste. The battery is permanently installed in the unit and cannot be replaced. Recycling is carried out by the manufacturer. After the end of the service life, return the unit to the manufacturer for this purpose.

1.5 Function diagram

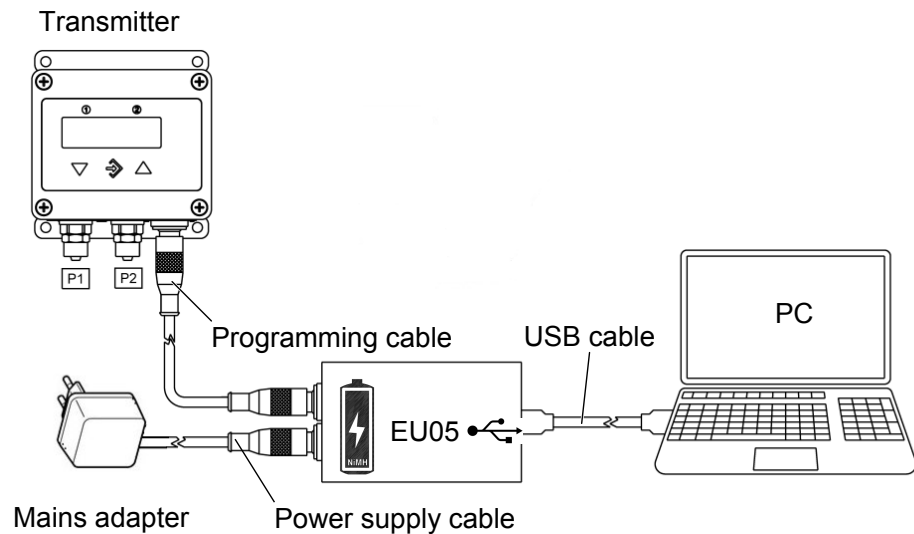


Illustration 2: Function diagram

1.6 Design and mode of operation

The EU05 unit is a Transmitter PC Interface that allows communication between transmitters⁽¹⁾ and PCs. It is connected to the PC via the USB interface. The transmitter is connected via the M12 programming cable.

There are several ways of supplying power to the EU05:

1. For transmitters with a 3-wire connection, the power comes from the system power supply. A special adapter cable (see accessories) is required for some transmitters.
2. Optionally, the EU05 can be supplied with an installed NiMH battery that supply power to the unit. In this way, the unit can also be used in a mobile 'on-site' manner.
3. A power supply unit with a plug included in the delivery can be used for the power supply to the EU05. This also serves as a charger for the optionally installed NiMH battery.

The power is supplied to the connected transmitter via the EU05 and only when connected to an USB interface.

The 'remote' configuration of the connected transmitter is realised with a special PC software depending on the type. Please see the list in the section 'Intended use' [▶ 3] for the software required for your transmitter type. You can download the latest software for free from our website (www.fischermesstechnik.de).

⁽¹⁾In the following, the term 'transmitter' is used for all FISCHER units that can be connected to the EU05 for the intended purpose.

2 Technical data

2.1 Auxiliary energy

The following data refers to the power supply via a power supply unit. However, power can be supplied via an USB interface.

Rated Voltage	24 V AC/DC
Admissible operating voltage U_b	12 ... 30 V AC/DC
Power consumption	≤ 4 W
Electrical plug	M12 flanged connector 5-pin coded
Optional NiMH battery	2200 mAh
Runtime in battery mode ⁽⁺⁾	approx. 4 hours.

⁽⁺⁾ The runtime depends on the connected transmitter type.

2.2 Application conditions

Ambient temperature range	0 ... +40 °C
Storage temperature range	-10 ... +50 °C
Max. humidity	80% rel. hum.
Protection class IP	IP20

Supported operating systems	Windows XP 32 Bit Windows Vista 32 Bit Windows 7 32/64 Bit
------------------------------------	--

EMC Directive	2004/108/EC
DIN EN 61000-6-2 Correction 1:2011-06	EMC Part 6-2: Generic standards - Immunity for industrial environments
DIN EN 61000-6-3 Correction 1:2012-11	EMC Part 6-3: Generic standards - Emissions for residential, commercial and light industry

RoHS Directive	2011/65/EU
DIN EN 50581:2013-02	Technical documentation for assess- ment of electronic and electrical units with respect to limitation of dangerous substances

2.3 Interfaces

PC interface	USB 2.0
Electrical plug	USB bush type B

Transmitter connection	
Electrical plug	M12 coupling

2.4 Construction design

Installation position	User-defined
Dimensions (W x L x H)	101 x 195 x 44 mm
Weight	approx. 450g

Materials	
Housing	ABS

2.4.1 Dimensional drawings

All dimensions in mm unless otherwise stated

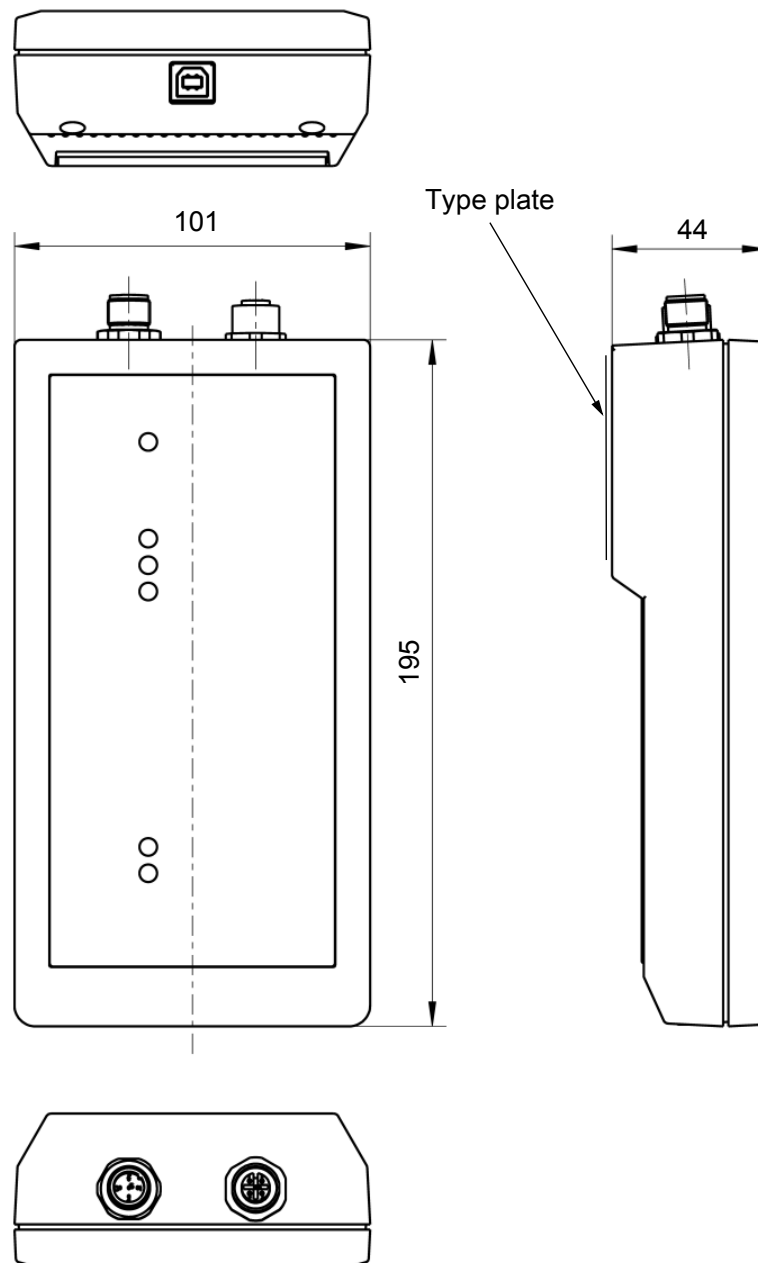
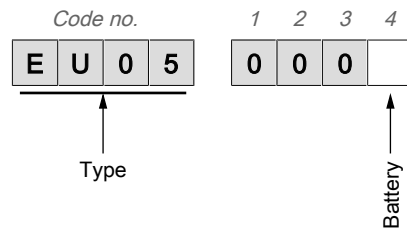


Illustration 3: Dimensional picture

3 Order Codes



[4] ← code
0 Without battery
1 With battery

3.1 Accessories

Order no.	Description		
06405132	Plug power supply unit		
06411148	Programming cable (coupling / connector) 5-pin M12		1 m
04491089	USB 2.0 cable	Type A/B	2 m
09005805	Transmitter configuration software	CD ROM	

3.2 Information about the document

This document contains all technical data about the device. Great care was taken when compiling the texts and illustrations; Nevertheless, errors cannot be ruled out.

Subject to technical amendments.



FISCHER Mess- und Regeltechnik GmbH
 Bielefelder Str. 37a
 32107 Bad Salzuffen
 Tel. +49 5222-974-0
 Fax. +49 5222-7170

