

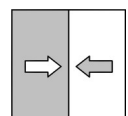
# Operating manual

## DE43

Digital 2-channel transmitter

for direct connection to  
bus-capable automation devices

09005642 • BA\_EN\_DE43 • Rev. ST4-B • 12/22



## Impressum

**Manufacturer:****FISCHER Mess- und Regeltechnik GmbH**Bielefelderstr. 37a  
D-32107 Bad SalzufenTelephone: +49 5222 974 0  
Telefax: +49 5222 7170eMail: [info@fischermesstechnik.de](mailto:info@fischermesstechnik.de)web: [www.fischermesstechnik.de](http://www.fischermesstechnik.de)**Technical editorial team:**

Documentation representative: T. Malischewski

Technical editor: R. Kleemann

All rights, also those to the translation, reserved. No part of this document may be reproduced or processed, duplicated or distributed using electronic systems or any other form (print, photocopy, microfilm or another process) without the written consent of the company FISCHER Mess- und Regeltechnik GmbH, Bad Salzufen.

Reproduction for internal use is expressly allowed.

Brand names and procedures are used for information purposes only and do not take the respective patent situation into account. Great care was taken when compiling the texts and illustrations; Nevertheless, errors cannot be ruled out. The company FISCHER Mess- und Regeltechnik GmbH will not accept any legal responsibility or liability for this.

Subject to technical amendments.



© FISCHER Mess- und Regeltechnik 2018

### Version history

Rev. ST4-A 11/18	Version 1 (first edition)
Rev. ST4-B 12/22	Version 2 (UKCA compliance)

# Table of contents

<b>1 Safety instructions</b>	<b>4</b>
1.1 General	4
1.2 Personnel Qualification	4
1.3 Risks due to Non-Observance of Safety Instructions	4
1.4 Safety Instructions for the Operating Company and the Operator	4
1.5 Unauthorised Modification	4
1.6 Inadmissible Modes of Operation	4
1.7 Safe working practices for maintenance and installation work	5
1.8 Pictogram explanation	5
<b>2 Product and functional description</b>	<b>6</b>
2.1 Delivery scope	6
2.2 Equipment versions	6
2.3 Function diagram	8
2.4 Design and mode of operation	8
2.5 Intended use	8
<b>3 Assembly</b>	<b>9</b>
3.1 General	9
3.2 Process connection	9
3.3 Electrical connections	10
<b>4 Start-up</b>	<b>13</b>
4.1 Generalities	13
4.2 Config select	13
4.3 Modbus functional description	15
4.4 LED flash codes	21
<b>5 Servicing</b>	<b>22</b>
5.1 Maintenance	22
5.2 Transport	22
5.3 Service	22
5.4 Disposal	22
<b>6 Technical data</b>	<b>23</b>
6.1 General	23
6.2 Input variables	23
6.3 Communication parameter	23
6.4 Auxiliary energy	24
6.5 Operating conditions	24
6.6 Construction design	24
<b>7 Order codes</b>	<b>26</b>
<b>8 Attachments</b>	<b>28</b>

# 1 Safety instructions

## 1.1 General

This operating manual contains basic instructions for the installation, operation and maintenance of the device that must be followed without fail. It must be read by the installer, the operator and the responsible specialist personnel before installing and commissioning the device.

This operating manual is an integral part of the product and therefore needs to be kept close to the instrument in a place that is accessible at all times to the responsible personnel.

The following sections, in particular instructions about the assembly, commissioning and maintenance, contain important information, non-observance of which could pose a threat to humans, animals, the environment and property.

The instrument described in these operating instructions is designed and manufactured in line with the state of the art and good engineering practice.

## 1.2 Personnel Qualification

The instrument may only be installed and commissioned by specialized personnel familiar with the installation, commissioning and operation of this product.

Specialized personnel are persons who can assess the work they have been assigned and recognize potential dangers by virtue of their specialized training, their skills and experience and their knowledge of the pertinent standards.

## 1.3 Risks due to Non-Observance of Safety Instructions

Non-observance of these safety instructions, the intended use of the device or the limit values given in the technical specifications can be hazardous or cause harm to persons, the environment or the plant itself.

The supplier of the equipment will not be liable for damage claims if this should happen.

## 1.4 Safety Instructions for the Operating Company and the Operator

The safety instructions governing correct operation of the instrument must be observed. The operating company must make them available to the installation, maintenance, inspection and operating personnel.

Dangers arising from electrical components, energy discharged by the medium, escaping medium and incorrect installation of the device must be eliminated. See the information in the applicable national and international regulations.

Please observe the information about certification and approvals in the Technical Data section.

## 1.5 Unauthorised Modification

Modifications of or other technical alterations to the instrument by the customer are not permitted. This also applies to replacement parts. Only the manufacturer is authorised to make any modifications or changes.

## 1.6 Inadmissible Modes of Operation

The operational safety of this instrument can only be guaranteed if it is used as intended. The instrument model must be suitable for the medium used in the system. The limit values given in the technical data may not be exceeded.

The manufacturer is not liable for damage resulting from improper or incorrect use.

## 1.7 Safe working practices for maintenance and installation work

The safety instructions given in this operating manual, any nationally applicable regulations on accident prevention and any of the operating company's internal work, operating and safety guidelines must be observed.

The operating company is responsible for ensuring that all required maintenance, inspection and installation work is carried out by qualified specialized personnel.

## 1.8 Pictogram explanation



### **DANGER**

#### Type and source of danger

This indicates a **direct** dangerous situation that could lead to death or **serious injury** (highest danger level).

1. Avoid danger by observing the valid safety regulations.



### **WARNING**

#### Type and source of danger

This indicates a **potentially** dangerous situation that could lead to death or **serious injury** (medium danger level).

1. Avoid danger by observing the valid safety regulations.



### **CAUTION**

#### Type and source of danger

This indicates a **potentially** dangerous situation that could lead to slight or serious injury, damage or **environmental pollution** (low danger level).

1. Avoid danger by observing the valid safety regulations.



### **NOTICE**

#### Note / advice

This indicates useful information of advice for efficient and smooth operation.

## 2 Product and functional description

### 2.1 Delivery scope

- DE43 digital 2-channel transmitter
- Operating Manual

### 2.2 Equipment versions

#### Assembly

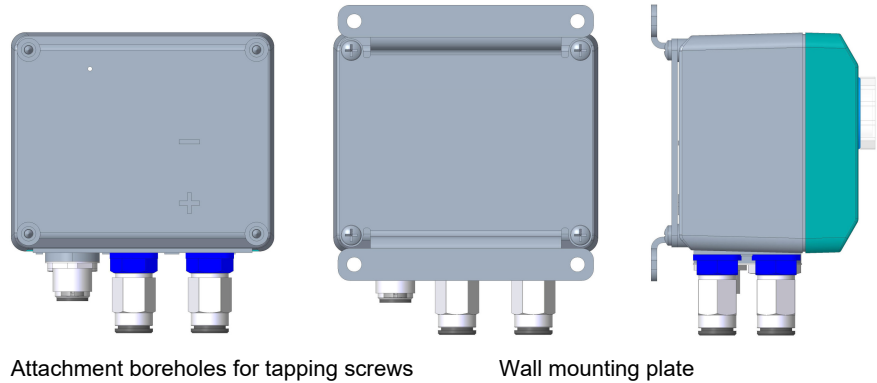


Fig. 1: Wall mounting

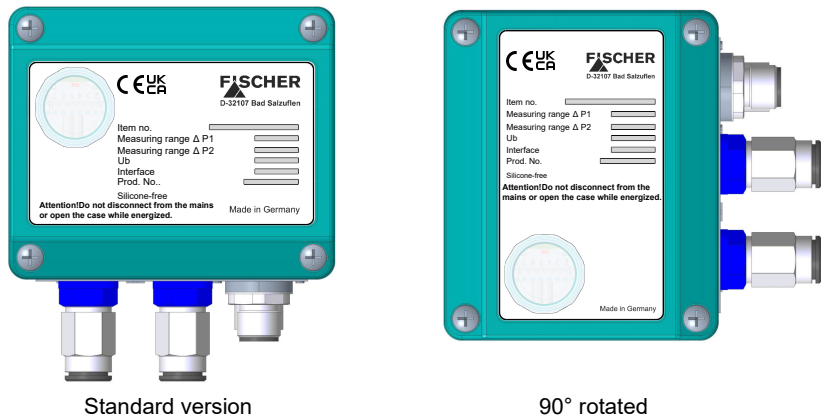


Fig. 2: Type plate

#### Process connection

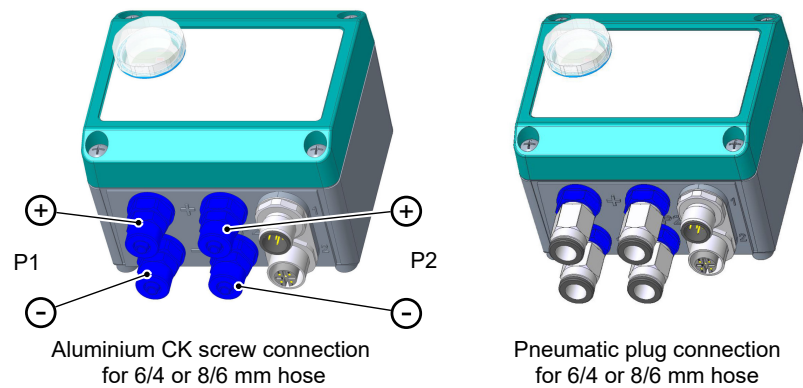


Fig. 3: Process connection

### Electrical connections

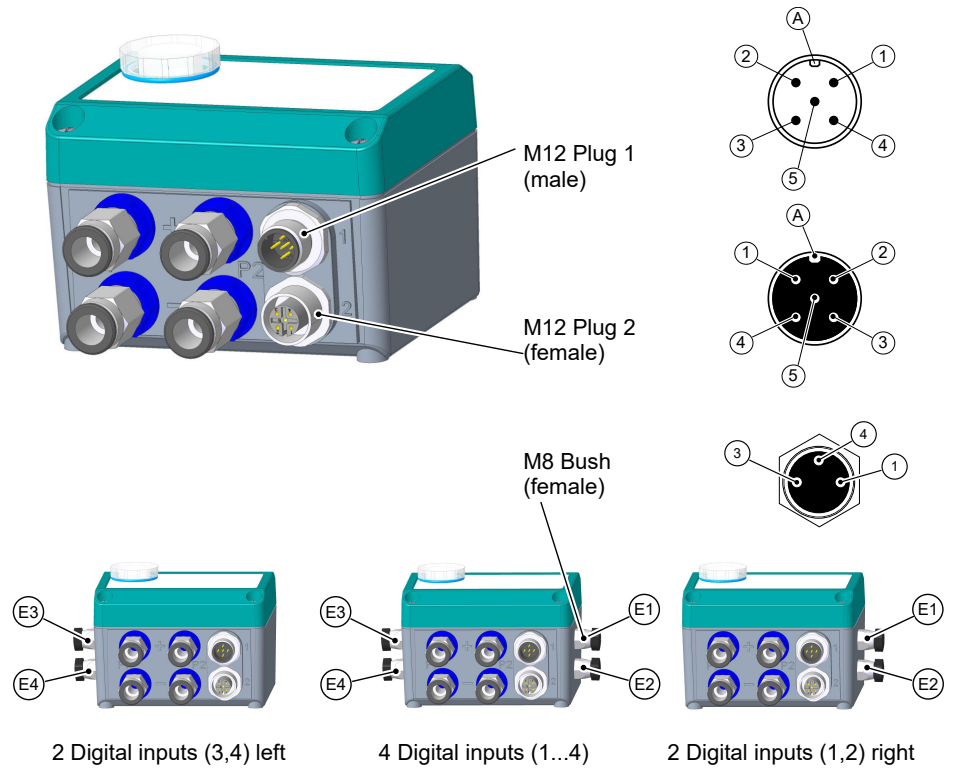


Fig. 4: Electrical connections

### 2.2.1 Type plate

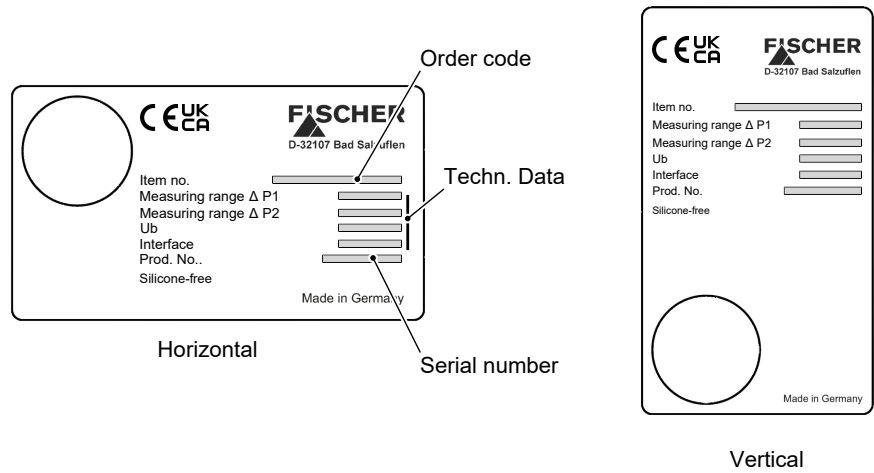


Fig. 5: Type plate

## 2.3 Function diagram

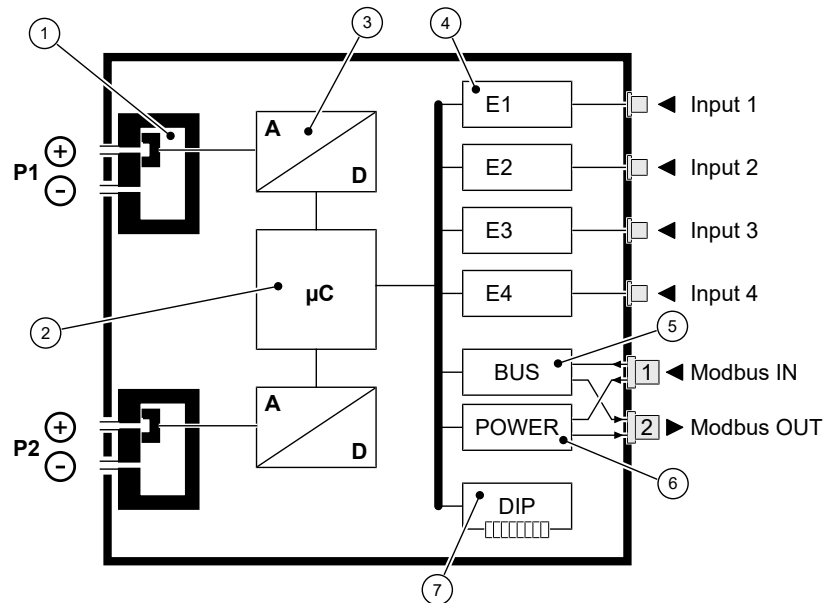


Fig. 6: Function diagram

1	Sensor element	2	Micro-controller
3	AD converter	4	Digital inputs
5	Modbus interface	6	Power Supply
7	Modbus configuration		

## 2.4 Design and mode of operation

The basis of the DE43 transmitter comprises two piezoresistive sensor elements.

The pressure that is to be measured acts upon a silicone membrane that is equipped with a resistor bridge. The acting pressure causes the membrane to move and therefore a change in resistance. The bridge signal is analysed by the integrated electronics and converted to a pressure value.

The DE43 transmitter communicates with an overriding control system via an RS 485 interface and a Modbus RTU protocol. The currently measured value is forwarded by the overriding control system on request.

The device also has a connecting slot for two or four proximity switches whose signals can also be queried through the Modbus by the overriding control system.

## 2.5 Intended use

The digital 2-channel transmitter DE43 is suitable for measuring pressure, under-pressure, and differential pressure in neutral gaseous media. The measured value is transferred to an overriding control system via an RS 485 interface with a Modbus RTU protocol.

Optionally, the device can monitor up to four external potential-free contacts, and send their switching status to the overriding control system.



### 3 Assembly

#### 3.1 General

The device is designed for installation onto flat assembly plates. For screw connection to the assembly plate, the device features four assembly bores on its back, which can be used for Ø 3.5 mm tapping screws.

Optionally, the device can be delivered with a wall-mounting plate. This is also available as accessory.

At the factory, the device is calibrated for vertical installation, but the installation position is arbitrary.

The enclosure protection type IP 65 is only guaranteed, if a suitable power supply cable is used (see accessories).

If the device is intended for outdoor use, we recommend permanent protection against constant rain or snow, however at the least a sufficiently dimensioned canopy.

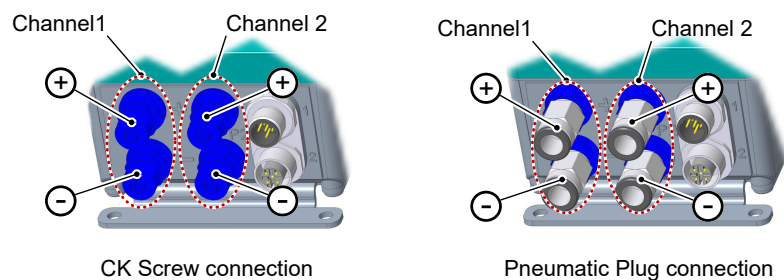
#### 3.2 Process connection

- By authorized and qualified specialized personnel only.
- The pipes need to be depressurized when the instrument is being connected.
- Appropriate steps must be taken to protect the device from pressure surges.
- Check that the device is suitable for the medium being measured.
- Maximum pressures must be observed (cf. Tech. data)

The pressure lines must be installed on a gradient so that no water pockets for gas measurements can be created. If the required gradient is not reached, water filters need to be installed at suitable points.

The pressure lines must be kept as short as possible and installed without any tight bends to avoid delays.

The process connections are marked with (+) and (-) symbols on the device. The pressure lines must be mounted according to these symbols.



Differential pressure	Pressure	Under-pressure
⊕ higher pressure	⊕ Pressure	⊕ open
⊖ lower pressure	⊖ open	⊖ Under-pressure

Fig. 7: Process connection

The process connections are suitable for hoses made of various materials (PA, PU, Teflon, etc.) with the following dimensions:

Process connection for	Hose 8/6	Hose 6/4
Outer diameter	8 mm	6 mm
Inner diameter	6 mm	4 mm

### 3.3 Electrical connections

- By authorized and qualified specialized personnel only.
- When connecting the unit, the national and international electro-technical regulations must be observed.
- Disconnect the system from the mains, before electrically connecting the device.
- Do not connect the connector if strained.

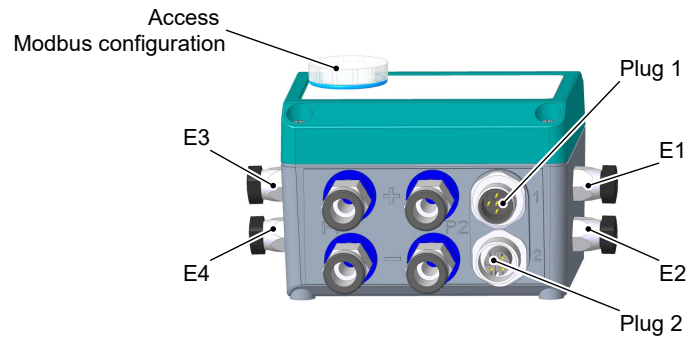


Fig. 8: Electrical connections

**WARNING!** Please note for the power supply to the devices that the M12 plugs are only suitable for max. 2A.

#### Plug 1 (Input)

Supply and bus connection

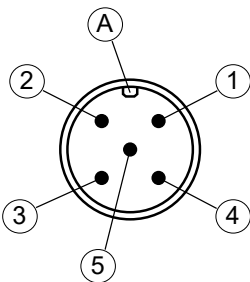


Fig. 9: M12 connector 5-pin

PIN	Signal name		Cable colour
A	Coding		
1	"Supply" dialogue	+U <sub>b</sub>	brown
2	BUS-D1		white
3	"Supply" dialogue	-U <sub>b</sub>	blue
4	BUS-D0		black
5	BUS-R		grey

#### Plug 2 (Output)

Supply and bus connection

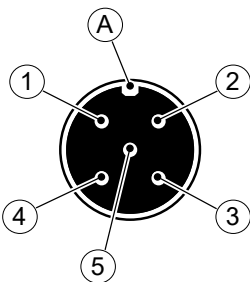


Fig. 10: M12 bush 5-pin

PIN	Signal name		Cable colour
A	Coding		
1	"Supply" dialogue	+U <sub>b</sub>	brown
2	BUS-D1		white
3	"Supply" dialogue	-U <sub>b</sub>	blue
4	BUS-D0		black
5	BUS-R		grey

#### Digital inputs (E1 ... E4)

Input for external potential-free contacts.

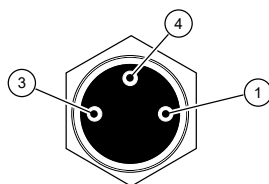


Fig. 11: M8 bush

PIN	Signal name		Cable colour
1	Supply contact 1 (+)	+U <sub>E1</sub>	brown
3	Supply contact 1 (-)	-U <sub>E1</sub>	blue
4	Input	E1	black

The assignment of the M8 bushes is the same for all contacts, which is why only the assignment of digital input E1 is shown here as an example.

### 3.3.1 Modbus RTU network

The DE43 is usually connected in a line network structure as a so-called slave to the Modbus RTU network. Up to 123 bus participants can be operated without an amplifier on one strand

**NOTICE! Star-shaped networks are not allowed.**

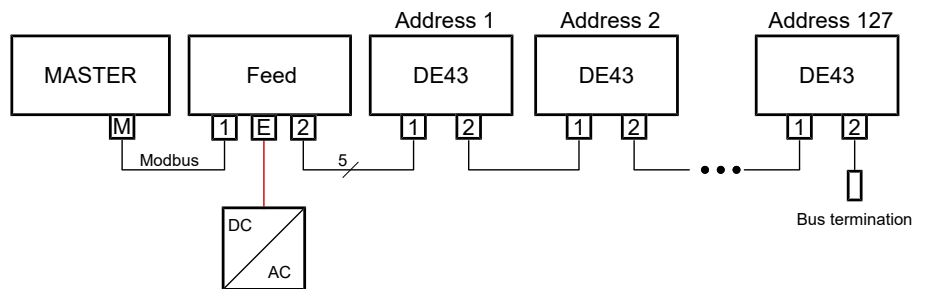


Fig. 12: Modbus RTU network

Communication is effected solely via a Modbus master that is also connected to the bus system. The connected slaves only react to direct commands from the master, which is why communication between the slaves is not possible.

To guarantee fault-free data transmission, we recommend terminating the end point of the Modbus RTU network with a 120Ω resistor. These bus terminating resistors are available as accessories.

It can be connected to an existing Modbus network via a conventional T-piece (passive TAP).

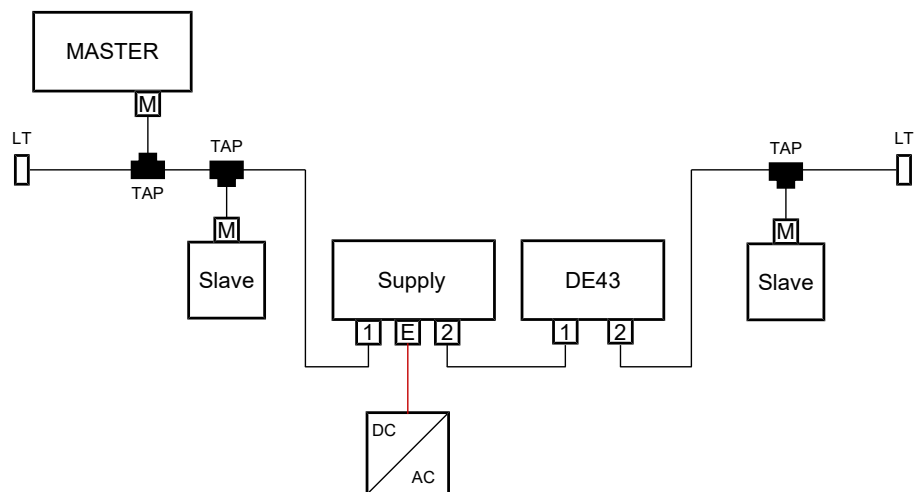


Fig. 13: Modbus connection

**Supply circuit**

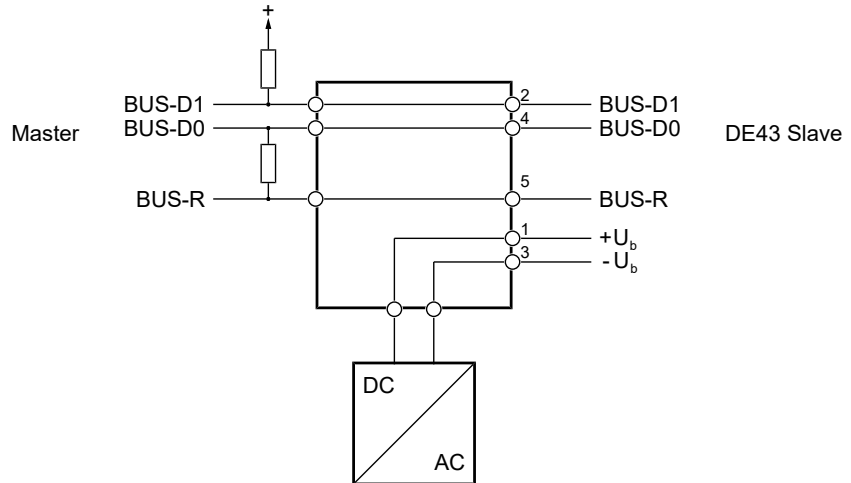


Fig. 14: Supply

Please note that the M12 plugs are suitable for max. 2A. This value may already be exceeded if there are more than 23 bus participants (without digital inputs). For this reason, an intermediate feed should be provided at a suitable place.

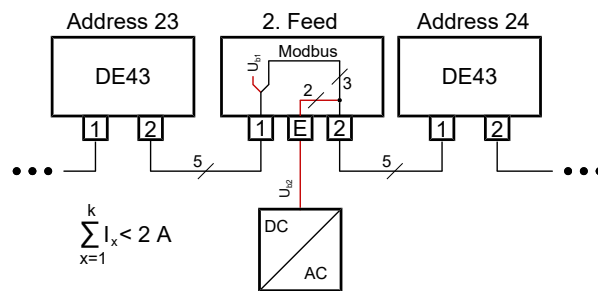


Fig. 15: Intermediate supply

Please note that a DE43 with digital inputs has a higher power draw. If the bus participants are equipped with digital inputs, the number of possible bus participants of a supply circuit are reduced.

The power draw of a device x with n digital inputs is calculated as follows:  $I_x = 55 \text{ mA} + (n \cdot 4.5 \text{ mA})$

This is calculated for the first bus participant and each of its successors. The results are accumulated in sequence until the result exceeds the limit value 2 A. The interim feed is then set after the bus participant k at which the total current of the supply circuit last lay below 2 A.

## 4 Start-up

### 4.1 Generalities

A prerequisite for commissioning is correct installation of all electrical supply lines and the pressure lines. All connections are arranged so that there are no mechanical forces acting on the device.

Also, know-how of the Modbus RTU protocol and the bus architecture are required to commission the bus system.

### 4.2 Config select

The DE43 Transmitter can be configured using an 8-digit DIP switch. To this end, the sealing plug in the front plate needs to be removed. Below this is an 8-pin DIP switch which can be used to configure both the Modbus address and also the interface.

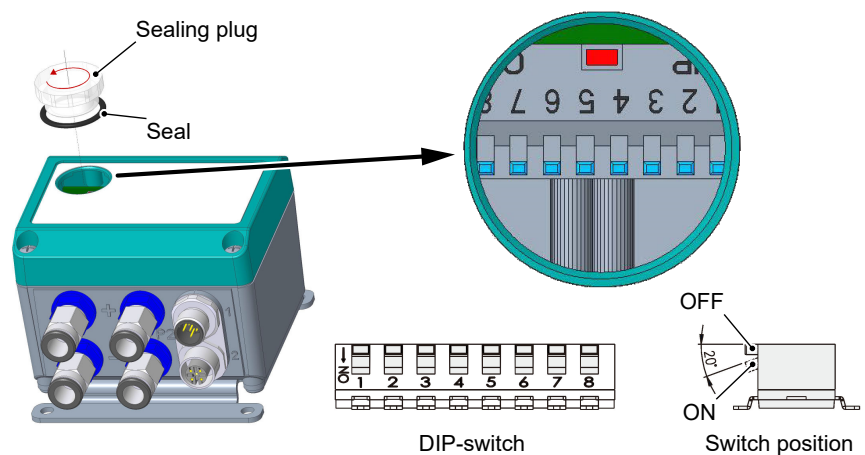


Fig. 16: Access to the DIP switch

After all settings have been made, close the front plate with the plug. Always use the original seal in this case. The sealing plug is screwed in tightly by hand.

#### 4.2.1 Interfaces configuration

**NOTICE! An X marks a random switch setting**

S1	S2	S3	S4	S5	S6	S7	S8
Baudrate			Parität		Stopbit	X	ON

Fig. 17: DIP switches

The switch S8 is used to select between the interface configuration and Modbus address setting. For the interface configuration, ensure that the switch S8 is always in the setting **ON**.

Baud rate	S1	S2	S3	S4	S5	S6	S7	S8
1200	OFF	OFF	OFF				X	ON
2400	ON	OFF	OFF				X	ON
4800	ON	ON	OFF				X	ON
9600	OFF	ON	OFF				X	ON
19200	ON	OFF	ON				X	ON
38400	OFF	OFF	ON				X	ON
57600	ON	ON	ON				X	ON

Parity	S1	S2	S3	S4	S5	S6	S7	S8
None				OFF	OFF	X	X	ON
Identical parity				ON	OFF	OFF	X	ON
Not identical parity				OFF	ON	OFF	X	ON

It is not possible to combine identical or non-identical parity with 2 stopbits.

Stopbits	S1	S2	S3	S4	S5	S6	S7	S8
1 stopbit						OFF	X	ON
2 stopbits						ON	X	ON

The device needs to be restarted to confirm the settings. To do this, disconnect the device briefly from the power supply (plug 1).

#### 4.2.2 Modbus address

To set the Modbus address, the switch S8 must be in the position OFF.

S1	S2	S3	S4	S5	S6	S7	S8
Modbus Address							OFF

Fig. 18: DIP switches

The address is entered in the dual system. The switches S1 to S7 represent the respective setting value as follows:

	S1	S2	S3	S4	S5	S6	S7
Binary	$2^0$	$2^1$	$2^2$	$2^3$	$2^4$	$2^5$	$2^6$
Decimal	1	2	4	8	16	32	64

#### For example:

The Modbus address 24 should be set.

	S1	S2	S3	S4	S5	S6	S7	S8
Switch setting	OFF	OFF	OFF	ON	ON	OFF	OFF	OFF
Priority	$0 \cdot 2^0$	$0 \cdot 2^1$	$0 \cdot 2^2$	$1 \cdot 2^3$	$1 \cdot 2^4$	$0 \cdot 2^5$	$0 \cdot 2^6$	
Total	0	+0	+0	+8	+16	+0	+0	=24

The device needs to be restarted to confirm the settings. To do this, disconnect the device briefly from the power supply (plug 1).

### 4.3 Modbus functional description

The following describes the Modbus functions that support the DE43 Transmitter. The descriptions are initially kept general as explained in the [Modbus Protocol Specification](#) and are then supplemented with the unique features of the DE43.

#### 4.3.1 Modbus Transaction

A Modbus transaction comprises two parts. A request from the Master and a response from the Slave.

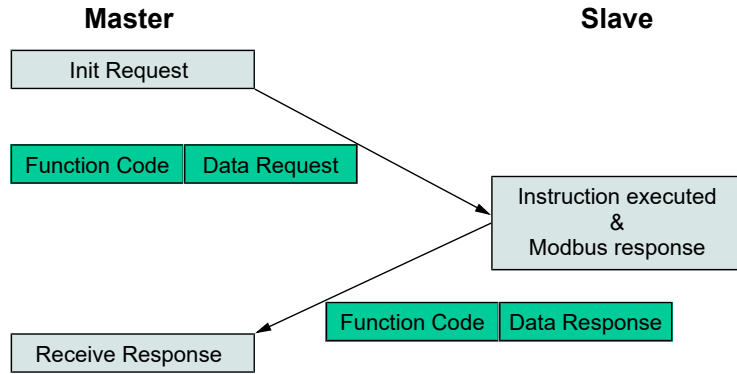


Fig. 19: Error-free request/response cycle

If an error occurs during a Modbus transaction, the Function Code is replaced with a special Function Code with an error indicator in the Modbus Response message and a more detailed description of the error in the data field is sent.

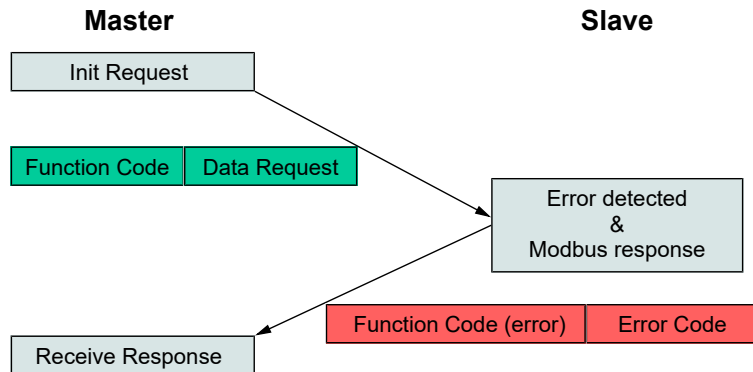


Fig. 20: Faulty request/response cycle

#### 4.3.2 Modbus telegram

The maximum size of a Modbus telegram is 256Byte. The telegram comprises a 1 byte slave address, a 1 byte function code, the data and a 2 byte CRC-checksum.

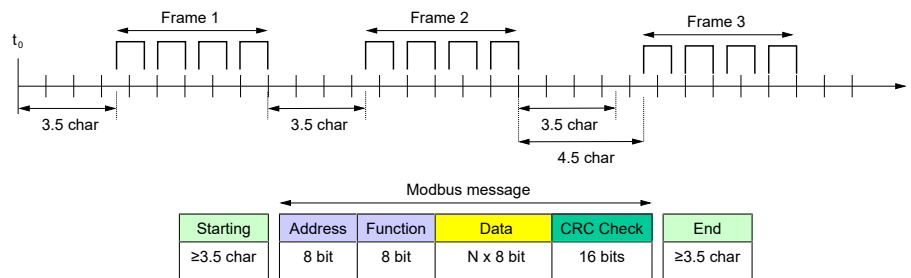


Fig. 21: Modbus Message Frame

### 4.3.3 Function code 0x02: Read Discrete Inputs

This function code is used to read digital inputs.

#### Request

The query contains the address of the first bits that are to be read and their number.

Byte	1	2	3	4	5
	0x02	MSB	LSB	MSB	LSB

Byte	Field name	Size	Value range
1	Function Code	1 byte	0x02
2.3	Start Address	2 bytes	0x0000 to 0xFFFF
4.5	Number of inputs	2 bytes	1 to 2000 (0x7D0)

The DE43 can be equipped with up to four digital inputs.

Bit	Data type	Description	State
0	Boolean	Digital input 1	0 or 1
1	Boolean	Digital input 2	0 or 1
2	Boolean	Digital input 3	0 or 1
3	Boolean	Digital input 4	0 or 1

#### Response

The states of the digital inputs are summarised as bytes in the response. The number of bytes (N) is the result of the number of inputs divided by 8. If there is a rest, the number of bytes increases ( $N=N+1$ ).

However, as the DE43 only has a maximum of 4 inputs, only 1 byte is transferred as a response.

The states of the digital inputs from the bit with the lowest value are saved within a byte. A bit value of 0 corresponds to the status OFF; a bit value of 1 corresponds to the status ON.

Byte	1	2	3
	0x02	N	Byte1 ... Byte N

Byte	Field name	Size	Value range
1	Function Code	1 byte	0x02
2	Number of bytes	1 byte	N
3...	Number of inputs	N Bytes	8 Bit value

#### Error

Byte	1	2
	0x82	Code

Byte	Field name	Size	Value range
1	Function Code (error)	1 byte	0x82
2	Error code	1 byte	Code s. table Error codes [▶ 21]

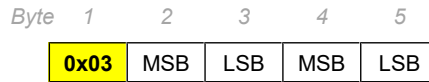


### 4.3.4 Function code 0x03: Read Holding Registers

This Function Code is used to read the Holding Register. The maximum possible number of registers that can be addressed in one message is 125.

**Request**

The request contains the address of the first register that is to be read and the number of registers that need to be read. The addressing of the register starts with 0; the numbering of the registers starts with 1.



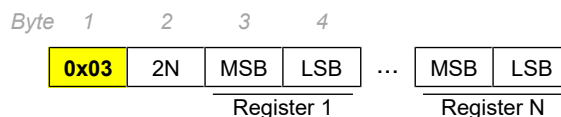
Byte	Field name	Size	Value range
1	Function Code	1 byte	0x03
2.3	Start Address	2 bytes	0x0000 to 0xFFFF
4.5	Number of registers	2 bytes	0x0001 to 0x007D (1...125)

The DE43 Transmitter has precisely 1 Holding Register with the address 0x0000.

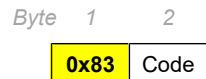
Bit	Data type	Description	State
0	Unsigned Integer	Pressure sensor 1	Sensor error 0 or 1
1	Unsigned Integer	Pressure sensor 1	Pressure too low 0 or 1
2	Unsigned Integer	Pressure sensor 1	Pressure too high 0 or 1
3	Unsigned Integer	RESERVED	0 or 1
4	Unsigned Integer	Pressure sensor 2	Sensor error 0 or 1
5	Unsigned Integer	Pressure sensor 2	Pressure too low 0 or 1
6	Unsigned Integer	Pressure sensor 2	Pressure too high 0 or 1
7	Unsigned Integer	RESERVED	0 or 1
8	Unsigned Integer	Temp. sensor	Sensor error 0 or 1
9	Unsigned Integer	Temp. sensor	Temperature too low 0 or 1
10	Unsigned Integer	Temp. sensor	Temperature too high 0 or 1
11	Unsigned Integer	RESERVED	0 or 1
12	Unsigned Integer	General	System error 0 or 1
13	Unsigned Integer	RESERVED	0 or 1
14	Unsigned Integer	RESERVED	0 or 1
15	Unsigned Integer	RESERVED	0 or 1

**Response**

The response contains two bytes for each read register; therefore the number of bytes is twice of the number of registers (N).



Byte	Field name	Size	Value range
1	Function Code	1 byte	0x03
2	Number of bytes	2 bytes	2N
3.4	Holding Register	N x 2 Byte	16 Bit value

**Error**

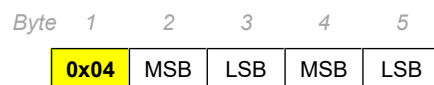
Byte	Field name	Size	Value range
1	Function Code (error)	1 byte	0x83
2	Error code	1 byte	Code s. table Error codes [▶ 21]

**4.3.5 Function code 0x04: Read Input Register**

This Function Code is used to read the input register. The maximum possible number of registers that can be addressed in one message is 125.

**Request**

The request contains the address of the first register that is to be read and the number of registers that need to be read. The addressing of the register starts with 0; the numbering of the registers starts with 1.



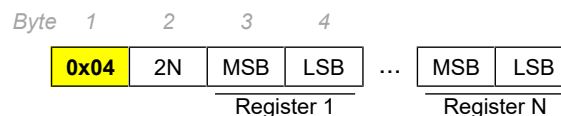
Byte	Field name	Size	Value range
1	Function Code	1 byte	0x04
2.3	Start Address	2 bytes	0x0000 to 0xFFFF
4.5	Number of registers	2 bytes	0x0001 to 0x007D (1...125)

The DE43 Transmitter has 3 Input Registers.

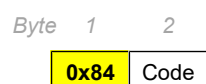
Reg.No.	Address	Data type	Description	Unit	Contents
1	0x0000	Integer	Measured value channel 1	PA	Measured value
2	0x0001	Integer	Measured value channel 2	PA	Measured value
3	0x0002	Integer	Temperature measured value	°C	Measured value

**Response**

The response contains two bytes for each read register; therefore the number of bytes is twice of the number of registers.



Byte	Field name	Size	Value range
1	Function Code	1 byte	0x04
2	Number of bytes	2 bytes	2N
3.4	Content Register	N x 2 Byte	16 Bit value

**Error**

Byte	Field name	Size	Value range
1	Function Code (error)	1 byte	0x84
2	Error code	1 byte	Code s. table Error codes [▶ 21]

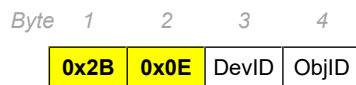
### 4.3.6 Function code 0x2B/0x0E: Device Identification

This Function Code is used to read certain information about identification of the unit. The following object types are used in the FISCHER units:

Object ID	Object Name	Type	Category
0x00	VendorName	ASCII String	Basic
0x01	ProductCode	ASCII String	Basic
0x02	MajorMinorRevision	ASCII String	Basic
0x03	VendorUrl	ASCII String	Regular
0x04	ProductName	ASCII String	Regular
0x05	ModelName	ASCII String	Regular
0x06	UserApplicationName	ASCII String	Regular

**NOTICE! There are no objects of the Extended category.**

#### Request



Byte	Field name	Size	Value range
1	Function Code	1 byte	0x2B
2	MEI Type <sup>*)</sup>	1 byte	0x0E
3	Read Device ID Code	1 byte	01 / 02 / 04
4	Object ID	1 byte	0x00 to 0xFF

<sup>\*)</sup> MEI = Modbus Encapsulated Interface

#### Read Device ID

The Read Device ID Code (DevID) serves to specify the access. If the code is not correct, an error message with the code 0x03 is sent.

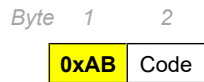
- 01 Access to objects of the Basic category                      stream access
- 02 Access to objects of the Regular category                      stream access
- 04 Access to a single object    individual access

If the length of the requested information exceeds the maximum possible length of the PDU, several transactions (Request/Response) must be carried out.

#### Object ID

The Object ID Code states on which object of the 'stream access' should start. If the Object ID does not match the existing objects, the 'stream access' starts with the first object of the category. In the event of an 'individual access', an error message is generated with the error code 0x02.



**Error**

Byte	Field name	Size	Value range
1	Function Code (error)	1 byte	0xAB (0x2B + 0x80)
2	Error code	1 byte	Code s. table Error codes [ 21]

**4.3.7 Error codes**

0x01	The function is not supported
0x02	An invalid address is referenced
0x03	The request does not correspond to the expected format
0x04	An error that could not be remedied occurred

**4.4 LED flash codes**

The operational status of the device is continuously signalled via two LEDs. The green LED signals correct operation and will go off in the event of an error. The error type is communicated via flash codes of the red LED.

ON	The LED shines permanently
Flash	The LED flashes regularly for 0.2 s
short	The LED shines for approx. 0.5 s
long	The LED shines for approx. 1 s
OFF	The LED does not shine

green LED	Red LED	Description
ON	OFF	The DE43 is ready for operation
ON	Flash	The DE43 sends an answer to the master via the Modbus
OFF	1 x long 1 x short	Pressure sensor 1: Error reading the sensor signal
OFF	1 x long 2 x short	Pressure sensor 2: Error reading the sensor signal
OFF	1 x long 3 x short	Temperature sensor: Error reading the sensor signal
OFF	1 x long 10 x short	Error reading the configuration parameter
OFF	1 x long 11 x short	Error writing the configuration parameter
OFF	1 x long 12 x short	Wrong configuration of the MODBUS parameter (Baud rate, parity, stopbits)

## 5 Servicing

### 5.1 Maintenance

The instrument is maintenance-free. We recommend the following regular inspection to guarantee reliable operation and a long service life:

- Check the function in combination with downstream components.
- Check the leak-tightness of the pressure connection lines.
- Check the electrical connections.

The exact test cycles need to be adapted to the operating and environmental conditions. In combination with other devices, the operating instructions for the other devices also need to be observed.

### 5.2 Transport

The measuring device must be protected against impacts. It should be transported in the original packaging or a suitable transport container.

### 5.3 Service

All defective or faulty devices should be sent directly to our repair department. Please coordinate all shipments with our sales department.



#### **WARNING**

##### **Process media residues**

Process media residues in and on dismantled devices can be a hazard to people, animals and the environment. Take adequate preventive measures. If required, the devices must be cleaned thoroughly.

Return the device in the original packaging or a suitable transport container.

### 5.4 Disposal

Please help to protect the environment by always disposing of the work pieces and packaging materials in compliance with the valid national waste and recycling guidelines or reuse them.

## 6 Technical data

### 6.1 General

General information	
Type designation	DE43
Pressure type	Differential pressure, relative pressure
Measurement principle	Piezo-resistive
Reference conditions (acc. to IEC 61298-1)	
Temperature	+15 ... +25 °C
Relative humidity	45 ... 75 %
Air pressure	86 ... 106 kPa      860 ... 1060 mbar
Installation position	User-defined

### 6.2 Input variables

Measuring variable	Pressure, under-pressure and differential pressure for neutral gaseous media
Damping (P=10...90%)	1 sec

Measuring range (p)	Unit	+ ranges (0 ... +p)					+ ranges (-p ... +p)					
		PA	400	600	1000	1600	2500	±250	±400	±600	±1000	±1600
	kPa	0.4	0.6	1	1.6	2.5	±0.25	±0.4	±0.6	±1	±1.6	
	mbar	4	6	10	16	25	±2.5	±4	±6	±10	±16	
Max. stat. operating pressure	mbar	50	50	100	100	100	50	50	50	100	100	
Bursting pressure	mbar	150	150	300	300	300	150	150	150	300	300	
Characteristic curve deviation <sup>(*)</sup>	Max.	%FS					1.0					
	Type	%FS					0.5					
TK Span <sup>**)</sup>	Max.	%FS/10K	1.0	1.0	0.3	0.3	0.3	1.0	0.5	0.3	0.3	0.3
	Type	%FS/10K					0.3					
TK zero-point <sup>**)</sup>	Max.	%FS/10K	1.0	1.0	0.4	0.4	0.4	1.0	0.5	0.4	0.4	0.4
	Type	%FS/10K					0.2					

<sup>\*)</sup> Characteristic curve deviation (non-linearity and hysteresis) at 25°C

<sup>\*\*)</sup> Compensation range 0...60 °C

### 6.3 Communication parameter

interface	RS 485
Report	Modbus RTU
Modbus specification	Application Protocol Specification V1.1b3 (April 26, 2012)
Address	1 ... 127
Baud rate	1200 ... 57600 Baud
Parity	Even, uneven, parity
Stopbits	1...2

**Pre-set data format**

Baud rate	9600 Baud
Parity	None
Stopbit	1

**Supported Modbus functions**

0x02	Read Discrete Inputs
0x03	Read Holding Registers
0x04	Read Input Registers
0x2B / 0x0E	Read Device Identification

For more information about this, please refer to the operating instructions and online [http://www.modbus.org/docs/Modbus\\_Application\\_Protocol\\_V1\\_1b3.pdf](http://www.modbus.org/docs/Modbus_Application_Protocol_V1_1b3.pdf).

**6.4 Auxiliary energy**

nominal voltage	24 V DC
Admissible operating voltage	18 ... 30 V DC
Absorbed power	Max. 2 W

**6.5 Operating conditions**

Ambient temperature range	-10 ... +70 °C
Storage temperature range	-20 ... +70 °C
Medium temperature range	-10 ... +70 °C
Protection	IP65
EMC	EN 61326-1:2013 EN 61326-2-3:2013
RoHS	EN IEC 63000:2018

**6.6 Construction design**

Installation position	User-defined
Max. dimensions (WxHxT)	116 x 103 x 76 mm
Weight	375 g

**6.6.1 Connections**

Modbus connector 1	M12 round plug connector (5-pin, male, max. 2A) Plug 1 for supply and bus signals
Modbus connector 2	M12 round plug connector (5-pin, female, max. 2A) Plug 2 for forwarding the signals to the next BUS participant or to connect a BUS termination plug
Digital inputs E1 ... E4	M8 round plug connector (3-pin, female) Depending on the model, 0, 2 or 4 proximity switches can be connected
Process connection option 1	Aluminium CK screw connection for 6/4 or 8/6 mm hose
Process connection option 2	Pneumatic plug connector for 6/4 or 8/6 mm hose



### 6.6.2 Materials

Housing	Polyamide PA 6.6
Media-contacting material	Silicon, PVC, aluminium, brass

### 6.6.3 Dimensional drawings

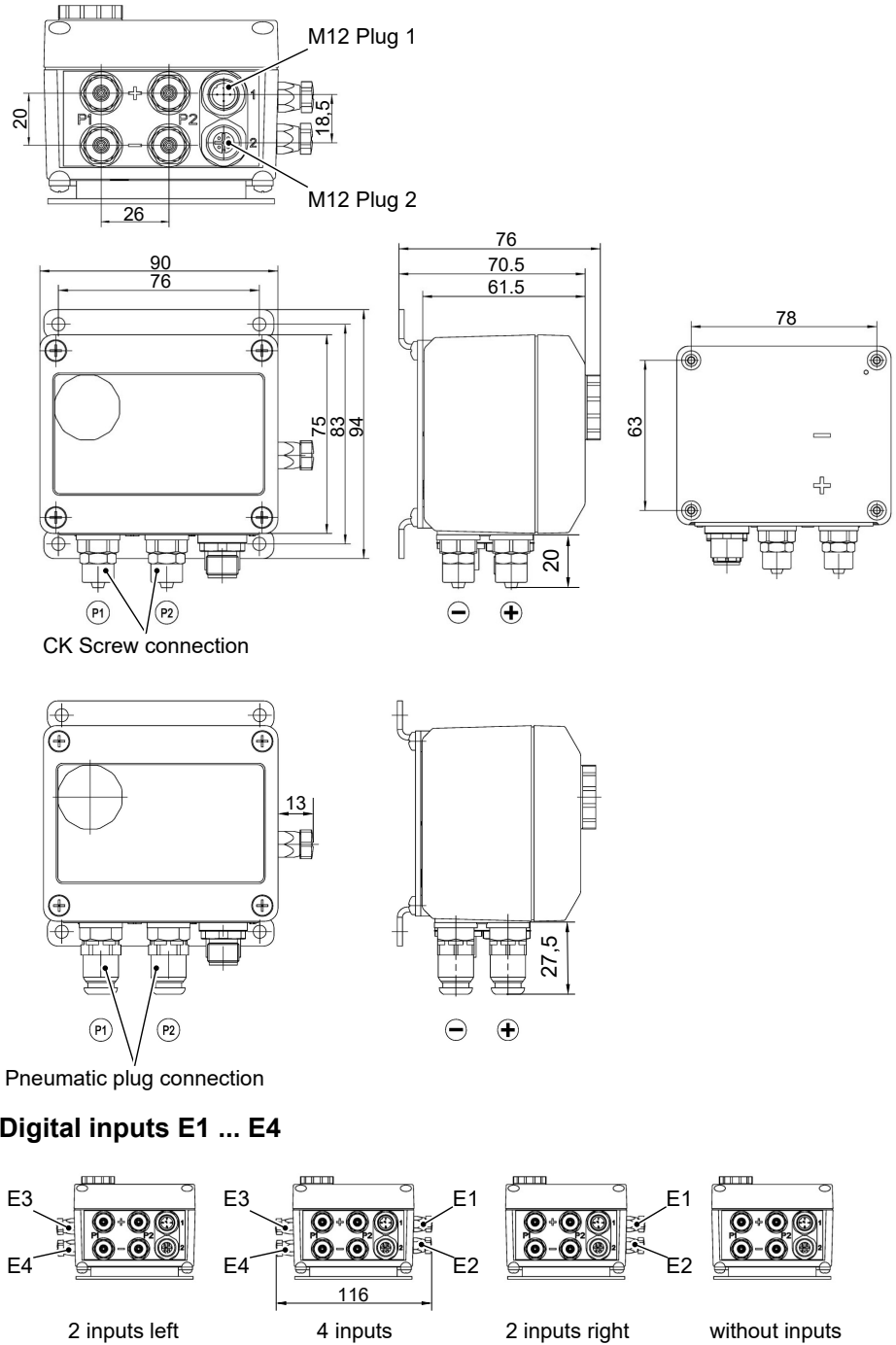
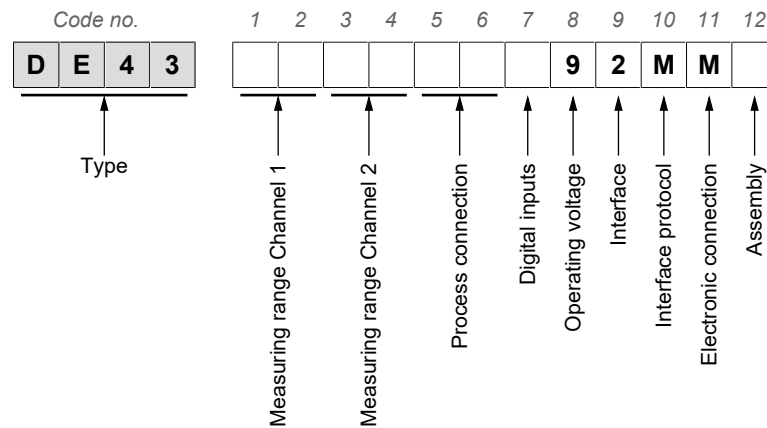


Fig. 22: Dimensional picture

## 7 Order codes



### Measuring range channel 1:

[1.2]	[Pa]
D7	0 ... 400
D8	0 ... 600
D9	0 ... 1000
E1	0 ... 1600
E2	0 ... 2500 Pa
S6	-250 ... +250
R1	-400 ... +400
R2	-600 ... +600
R3	-1000 ... +1000
R4	-1600 ... +1600

### Measuring range channel 2:

[1.2]	[Pa]
D7	0 ... 400
D8	0 ... 600
D9	0 ... 1000
E1	0 ... 1600
E2	0 ... 2500 Pa
S6	-250 ... +250
R1	-400 ... +400
R2	-600 ... +600
R3	-1000 ... +1000
R4	-1600 ... +1600

### Process connection:

[5.6]	
40	CK aluminium screw connection for 6/4 mm hose
41	CK aluminium screw connection for 8/6 mm hose
P6	Pneumatic plug connector MS nickel-plated for 6/4 mm hose
P8	Pneumatic plug connector MS nickel-plated for 8/4 mm hose

**Digital inputs:**

<b>[7]</b>	<b>M8 round plug connector 3-pin, female</b>
<b>0</b>	Without digital inputs
<b>L</b>	Two digital inputs (E3, E4) left
<b>K</b>	Two digital inputs (E1, E2) right
<b>C</b>	Four digital inputs (E1, E2) right and (E3, E4) left

**Operating voltage:**

<b>[8]</b>	
<b>9</b>	24 V DC

**Interface:**

<b>[9]</b>	
<b>2</b>	RS 485

**Interface protocol:**

<b>[10]</b>	<b>(Code no.)</b>
<b>C</b>	Modbus RTU Protocol

**Electrical connection:**

<b>[11]</b>	
<b>C</b>	M12 round plug connector (Modbus, power supply) M8 round plug connector (Digital inputs, optional→[7])

**Assembly:**

<b>[12]</b>	
<b>0</b>	Standard (attachment boreholes on rear side)
<b>W</b>	Horizontal wall mounting
<b>V</b>	Vertical wall mounting

## 8 Attachments



(Translation) **CE**

### EU Declaration of Conformity

For the product described as follows

**Product designation**                    **2-channel differential pressure transmitter**  
**Type designation**                        **DE43**

it is hereby declared that it corresponds with the basic requirements specified in the following designated directives:

2014/30/EU	EMC Directive
2011/65/EU	RoHS Directive
(EU) 2015/863	Delegated Directive amending Annex II to Directive 2011/65/EU

The products were tested in compliance with the following standards.

#### Electromagnetic compatibility (EMC)

<i>DIN EN 61326-1:2013-07</i>	<i>Electrical equipment for measurement, control and laboratory use - EMC requirements - Part 1: General requirements</i>
<i>EN 61326-1:2013</i>	
<i>DIN EN 61326-2-3:2013-07</i>	<i>Electrical equipment for measurement, control and laboratory use - EMC requirements - Part 2-3: Particular requirements - Test configuration, operational conditions and performance criteria for transducers with integrated or remote signal conditioning</i>
<i>EN 61326-2-3:2013</i>	

#### RoHS Directive (RoHS3)

<i>DIN EN IEC 63000:2019-05</i>	<i>Technical documentation for the assessment of electrical and electronic products with respect to the restriction of hazardous substances</i>
<i>EN IEC 63000:2018</i>	

Also they were subjected to the conformity assessment procedure „**Internal production control**“.

Sole responsibility for the issue of this declaration of conformity in relation to fulfilment of the fundamental requirements and the production of the technical documents is with the manufacturer.

**Manufacturer**                                **FISCHER Mess- und Regeltechnik GmbH**  
 Bielefelder Str. 37a  
 32107 Bad Salzufflen, Germany  
 Tel. +49 (0)5222 974 0

**Documentation representative**        Torsten Malischewski  
 General Manager R&D

The devices bear the following marking:



Bad Salzufflen  
 12 Okt 2022

T. Malischewski  
 General manager R&D

09010343 • CE\_EN\_DE43 • Rev. ST4-B • 10/22

1 / 1



Fig. 23: CE\_EN\_DE43



## Notes

## Notes



**FISCHER Mess- und Regeltechnik GmbH**

Bielefelder Str. 37a  
D-32107 Bad Salzuflen

Tel. +49 5222 974-0

Fax +49 5222 7170

[www.fischermesstechnik.de](http://www.fischermesstechnik.de)  
[info@fischermesstechnik.de](mailto:info@fischermesstechnik.de)