

NK06 || Level probe - DNV-GL type-tested

Application

Level probes of type series NK06 are used in connection with transistor control relays ER76 for the automatic control of conductive Liquids and liquid level control.

So e.g:

- Monitoring minimum or maximum filling levels in vessels
- Protection of pumps against dry running
- Differentiating oil and water levels within enclosed oil/water separators

Function and mode of operation

Once the liquid wets the electrodes, make a conductive connection to the ground electrode or the vessel itself if this is used as ground.

The conductivity of the liquid must be at least 5 $\mu\text{S}/\text{cm}$. Contact with the conductive liquid sets the interval relay and the output relay switches.

If the liquid level drops below the longest functional electrode, the interval relay is switched off and the output relay drops out.

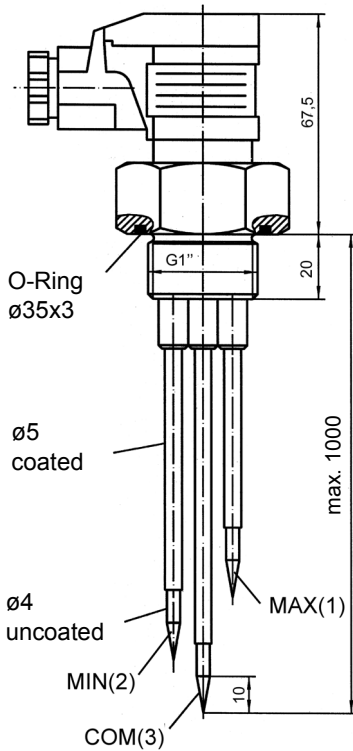


Specifications

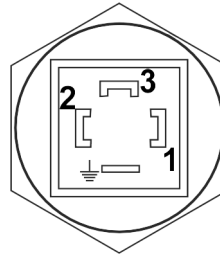
Number of electrodes	1...3
Operating pressure	10 bar (max.)
Protection class	IP 65
Electrical connection	Connector according to DIN EN 175301-803
Perm. medium temp.	60°C
Perm. ambient temp.	-20 to +50°C
Material: Electrode head	Brass
Material: Electrodes	Stainless steel (1.4305)
Conductivity of the liquid	5 $\mu\text{S}/\text{cm}$ (min.)
Screw-in spigot	G 1" M
Approval: DNV-GL type-tested	CertificateNo. TAA00002BV



Dimensions (all units in mm unless stated otherwise)



Electrical Connections



Assignment of the connector lugs to the electrodes. Tag 3 is always assigned to the longest electrode, tag 2 to the next shorter electrode, and so on.

Ordering Code

Niveau-Sonde	NK06	<input type="text" value="0"/>	<input type="text"/>	<input type="text"/>	<input type="text"/>	<input type="text"/>	<input type="text"/>	<input type="text"/>	<input type="text"/>
---------------------	-------------	--------------------------------	----------------------	----------------------	----------------------	----------------------	----------------------	----------------------	----------------------

Number of Electrodes

- 1 electrode..... > 1
- 2 electrodes..... > 2
- 3 electrodes..... > 3

Electrode insulation

- without..... > 0
- with ECTFE..... > E
- with Kynar..... > K

Materials

Electrode head: brass, Electrodes: stainless steel (1.4305) .> 0

Length of Electrodes (measured from sealing surface)*

- 1st electrode in mm *.....> ()
- 2nd electrode in mm *.....> ()
- 3rd electrode in mm *.....> ()

* Please fill in the desired length of every electrode in mm (max 1000mm, other lengths on request).